



The COEX™ FECH/3 PTZ camera station is unique in its ability to accommodate IP and fibre-optic capability within the camera station (eliminating the need for an external EExd junction box), which makes it the first choice for networked and large-scale applications.

FEATURES

- **EExd IIB or IIC, T5 or T6**
- **ATEX II 2 GD Certification**
- **Electro-polished 316L stainless steel**, for maximum corrosion resistance
- **IP68 rated** – completely protected against dust & water ingress, for the most extreme environments
- **Multi-protocol telemetry** for extensive system compatibility
- **Toughened glass window**
- **Thermostatically controlled window demister**
- **Torque Limited Protection**

MAXIMUM BENEFITS...

Manufactured from the highest-grade electro-polished 316L stainless steel for maximum corrosion resistance, the COEX FECH/3 PTZ camera station is designed specifically for Hazardous Area applications.

The FEPT Pan & Tilt unit incorporates torque-limited gearboxes, protecting against damage under extreme conditions and mis-use.

The FECH/3 PTZ is unique in its ability to accommodate a wide variety of IP and fibre-optic transmission options within the camera housing (eliminating the need for an external EExd junction box), which makes it the first choice for networked and large-scale applications.

The FECH/3 PTZ has a long track record of reliable operation – from sub-zero arctic conditions to the deserts of the Middle East.

OPTIONS

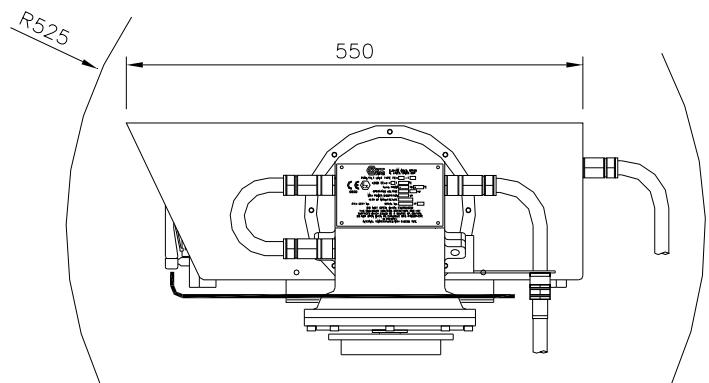
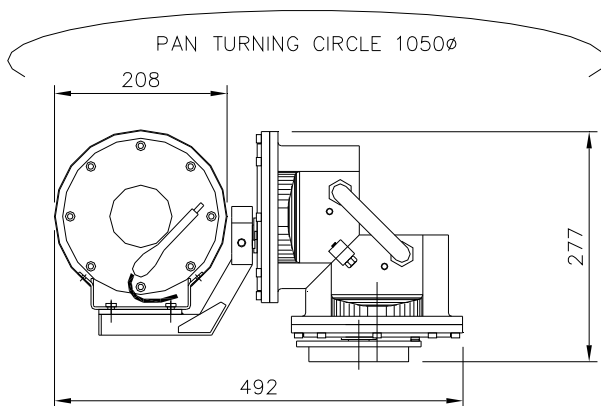
- *Alternative camera / lens configurations available*
- *Longer version available to accommodate additional equipment*
- *Integral IP encoder*
- *Integral Fibre-Optic transceiver*
- *Comprehensive support of all transmission methods*
- *Preset Positioning*
- *Integral Wiper*
- *COEX 'FEWS' EEx pressurised wash system*
- *EExe junction box*

FECH/3 PTZ

TECHNICAL SPECIFICATIONS

[Options]

ENVIRONMENTAL			
Rated Temperature		-55°C to +60°C	
Operating Temperature		-20°C to +55°C [-40°C to +55°C]	
Ingress Protection		IP68 to IEC 60529	
Certification		EExd IIB [IIC] T5 [T6]; ATEX II 2 GD	
MECHANICAL			
Material		Electro-polished 316L Stainless steel	
Window		Toughened Glass with 18W demister thermostatically operated below 20°C	
Pan Operation		350° rotation @ 6°/sec; Mechanical limits in 90° increments; 20Nm torque protected	
Tilt Operation		±90° rotation @ 3°/sec; Mechanical limits; 40Nm torque protected	
Mounting		4x Ø 9mm equi-spaced on a 4" (101.6mm) p.c.d.	
Dimensions (WxDxH)	FECH/3-450 PTZ	FECH/3-600 PTZ	
	495 x 550 x 280mm	495 x 700 x 280mm	
Pan Turning Circle	Ø 1020mm	Ø 1200mm	
Weight	53 Kg	56 Kg	
ELECTRICAL			
Power Requirements		230 Vac [110 or 24] 50Hz [60Hz] @ 100W max	
Electrical Connections		20mm cable entry fitted with a 3m composite cable tail [other lengths on request]	
TELEMETRY			
Interface		RS485 serial asynchronous data, 9600 baud	
Protocols ^{*3}		Synectics™, Pelco®, and other industry standard protocols available ^{*3}	
Functions ^{*2}		Pan, Tilt, Zoom, Focus, Iris, Wipe, Wash, Aux; Presets on Pan, Tilt, Zoom, Focus	
Camera Functions ^{*2}		On/Off selection of: Digital Zoom, BLC, Autofocus; Auto/Manual selection of: Focus, Colour/Mono Operation, Frame Integration, White Balance	
CAMERA / LENS			
Image Sensor		1/4" EXview HAD CCD	
Resolution		>530TVL	
S/N Ratio		>50dB	
Video Output		1.0 V _{pk-pk} CVBS into 75Ω; Colour PAL 50Hz [NTSC 60Hz]	
	[Standard]	[-X26]	
	0.7 lux	1.0 lux	
Minimum Illumination	0.07 lux (with 1/3 sec integration) 0.01 lux mono (with 1/3 sec integration)	0.09 lux (with 1/3 sec integration) 0.01 lux mono (with 1/3 sec integration)	[-X36] 1.4 lux 0.1 lux (with 1/3 sec integration) 0.01 lux mono (with 1/3 sec integration)
Zoom Range	18x zoom (up to 216x with digital zoom)	26x zoom (up to 312x with digital zoom)	36x zoom (up to 432x with digital zoom)
Focal Length	f=4.1 to 73.8mm	f=3.5 to 91mm	f=3.4 to 122.4mm
Angle of View (h)	48° to 2.8°	54.2° to 2.2°	57.8° to 1.7°
Aperture	F1.4 to 3.0	F1.6 to 3.8	F1.6 to 4.5



MANUFACTURER OF



CAMERA STATIONS

Specifications subject to change. E & OE.

Synectic Systems Group Ltd

The Flarepath, Elsham Wold, Brigg, North Lincolnshire, DN20 0SP, United Kingdom

Tel: +44 (0) 1652 688908 · Fax: +44 (0) 1652 688928

sales@synx.com : www.synx.com

© Synectic Systems Group Ltd 2008. All Rights Reserved



BS EN ISO 9001 - CERTIFICATE No. 0956

Literature Reference: 03GF0177_3